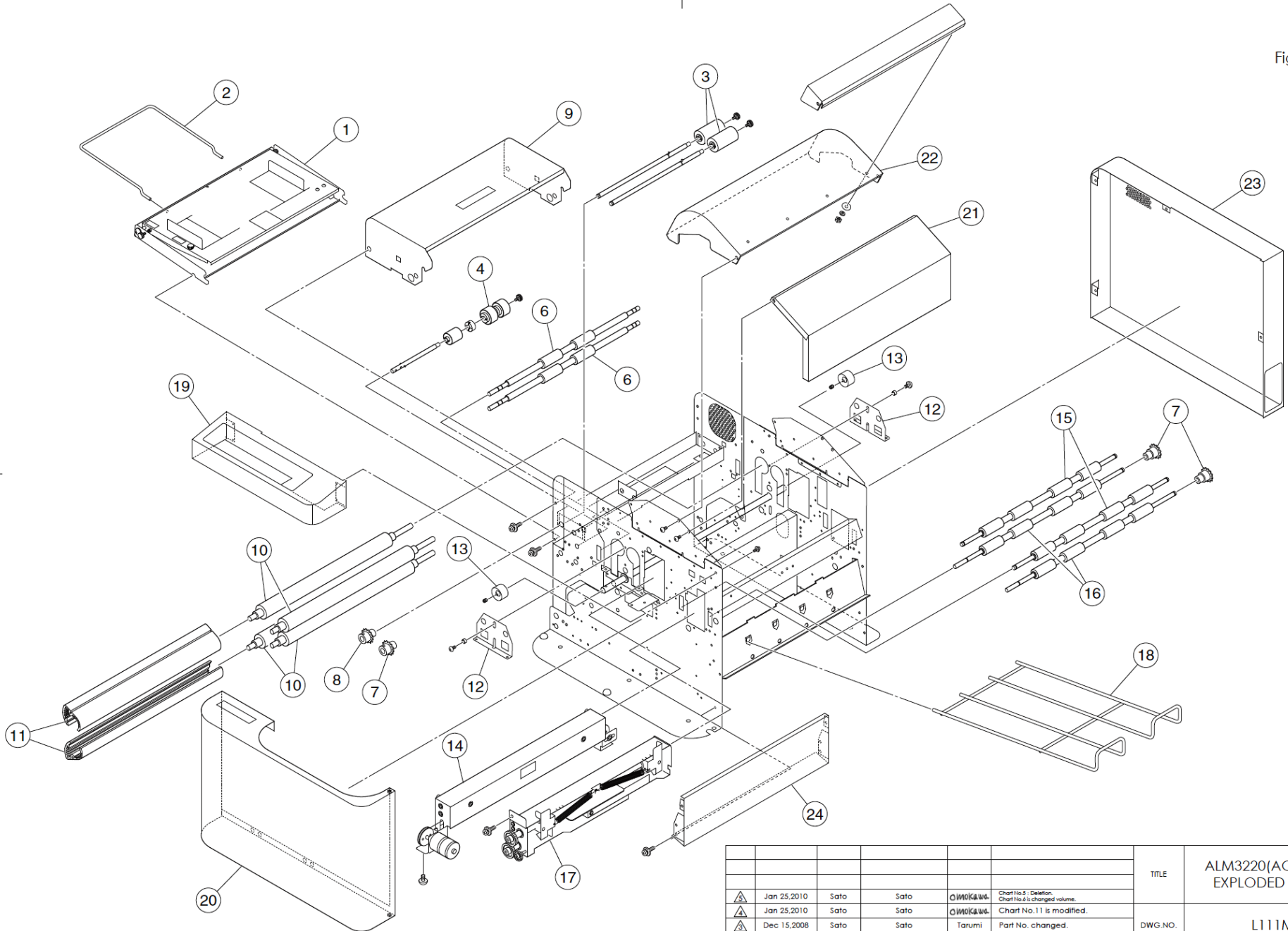


Fig.1



REV	DATE	DRAWN	CHECKED	ENG APPR.	COMMENTS	TITLE	SCALE
						ALM3220(AC120V) EXPLODED VIEW	
						DWG.NO.	L111M-U101
							SHEET 1/10



		1	2	3	4
A					
B					
C					
D					
E					
F					

ALM3220(AC120V) Fig.1				
No.	Part No.	Part Name	Q'ty	
③	1	967063 Feeder Tray ASSY	1	
	2	967022 Extension Tray	1	
	3	967005 Feeding Roller E	2	
	4	967006 Feeding Roller	1	
⑤	6	967008 Upper Feeding (Transport) Roller	2	
	7	967023 Sprocket 12T-12	3	
	8	967024 Sprocket 13T-12	1	
	9	967009 Feeder Cover	1	
	10	967010 Heating Roller / Pull Roller	4	
④	11	967095 Chamber (silver color)	2	
	12	967012 Press Plate	2	
	13	967013 Cam	2	
	14	967014 Cutter Unit	1	
	15	967016 Upper Transport Roller	2	
	16	967017 Lower Transport Roller	2	
	17	967065 Trimmer Unit	1	
	18	967067 Rear Tray	1	
	19	967022 Operation Panel Cover	1	
	20	967030 Front Cover	1	
	21	967031 Exit Cover	1	
	22	967032 Upper Film Roll Cover	1	
	23	967033 Rear Side Cover	1	
	24	967034 Right Side Cover	1	

④ Updated and applied to M/C No.649 and above. It can be applied to machines below No.649.

⑤ Upper and Lower feeding rollers were unified 967008 from M/C No.7. It can be applied to machines below No.7.

REV	DATE	DRAWN	CHECKED	ENG APPR.	COMMENTS

TITLE	SCALE
ALM3220(AC120V) EXPLODED VIEW	

DWG.NO.	COMMENTS
L111M-U101	

REV	DATE	DRAWN	CHECKED	ENG APPR.	COMMENTS

REV	DATE	DRAWN	CHECKED	ENG APPR.	COMMENTS

TITLE	SCALE
ALM3220(AC120V) EXPLODED VIEW	

DWG.NO.	COMMENTS
L111M-U101	

REV	DATE	DRAWN	CHECKED	ENG APPR.	COMMENTS

TITLE	SCALE
ALM3220(AC120V) EXPLODED VIEW	

DWG.NO.	COMMENTS
L111M-U101	

REV	DATE	DRAWN	CHECKED	ENG APPR.	COMMENTS

TITLE	SCALE
ALM3220(AC120V) EXPLODED VIEW	

DWG.NO.	COMMENTS
L111M-U101	

REV	DATE	DRAWN	CHECKED	ENG APPR.	COMMENTS

TITLE	SCALE
ALM3220(AC120V) EXPLODED VIEW	

DWG.NO.	COMMENTS
L111M-U101	

REV	DATE	DRAWN	CHECKED	ENG APPR.	COMMENTS

TITLE	SCALE
ALM3220(AC120V) EXPLODED VIEW	

DWG.NO.	COMMENTS
L111M-U101	

REV	DATE	DRAWN	CHECKED	ENG APPR.	COMMENTS

TITLE	SCALE
ALM3220(AC120V) EXPLODED VIEW	

DWG.NO.	COMMENTS
L111M-U101	

REV	DATE	DRAWN	CHECKED	ENG APPR.	COMMENTS

TITLE	SCALE
ALM3220(AC120V) EXPLODED VIEW	

DWG.NO.	COMMENTS
L111M-U101	

REV	DATE	DRAWN	CHECKED	ENG APPR.	COMMENTS

TITLE	SCALE
ALM3220(AC120V) EXPLODED VIEW	

DWG.NO.	COMMENTS
L111M-U101	

REV	DATE	DRAWN	CHECKED	ENG APPR.	COMMENTS

TITLE	SCALE
ALM3220(AC120V) EXPLODED VIEW	

DWG.NO.	COMMENTS
L111M-U101	

REV	DATE	DRAWN	CHECKED	ENG APPR.	COMMENTS

TITLE	SCALE
ALM3220(AC120V) EXPLODED VIEW	

DWG.NO.	COMMENTS
L111M-U101	

REV	DATE	DRAWN	CHECKED	ENG APPR.	COMMENTS

TITLE	SCALE
ALM3220(AC120V) EXPLODED VIEW	

DWG.NO.	COMMENTS
L111M-U101	

REV	DATE	DRAWN	CHECKED	ENG APPR.	COMMENTS

TITLE	SCALE
ALM3220(AC120V) EXPLODED VIEW	

DWG.NO.	COMMENTS
L111M-U101	

REV	DATE	DRAWN	CHECKED	ENG APPR.	COMMENTS

TITLE	SCALE
ALM3220(AC120V) EXPLODED VIEW	

DWG.NO.	COMMENTS
L111M-U101	

REV	DATE	DRAWN	CHECKED	ENG APPR.	COMMENTS

TITLE	SCALE
ALM3220(AC120V) EXPLODED VIEW	

DWG.NO.	COMMENTS
L111M-U101	

REV	DATE	DRAWN	CHECKED	ENG APPR.	COMMENTS

TITLE	SCALE
ALM3220(AC120V) EXPLODED VIEW	

DWG.NO.	COMMENTS
L111M-U101	

REV	DATE	DRAWN	CHECKED	ENG APPR.	COMMENTS

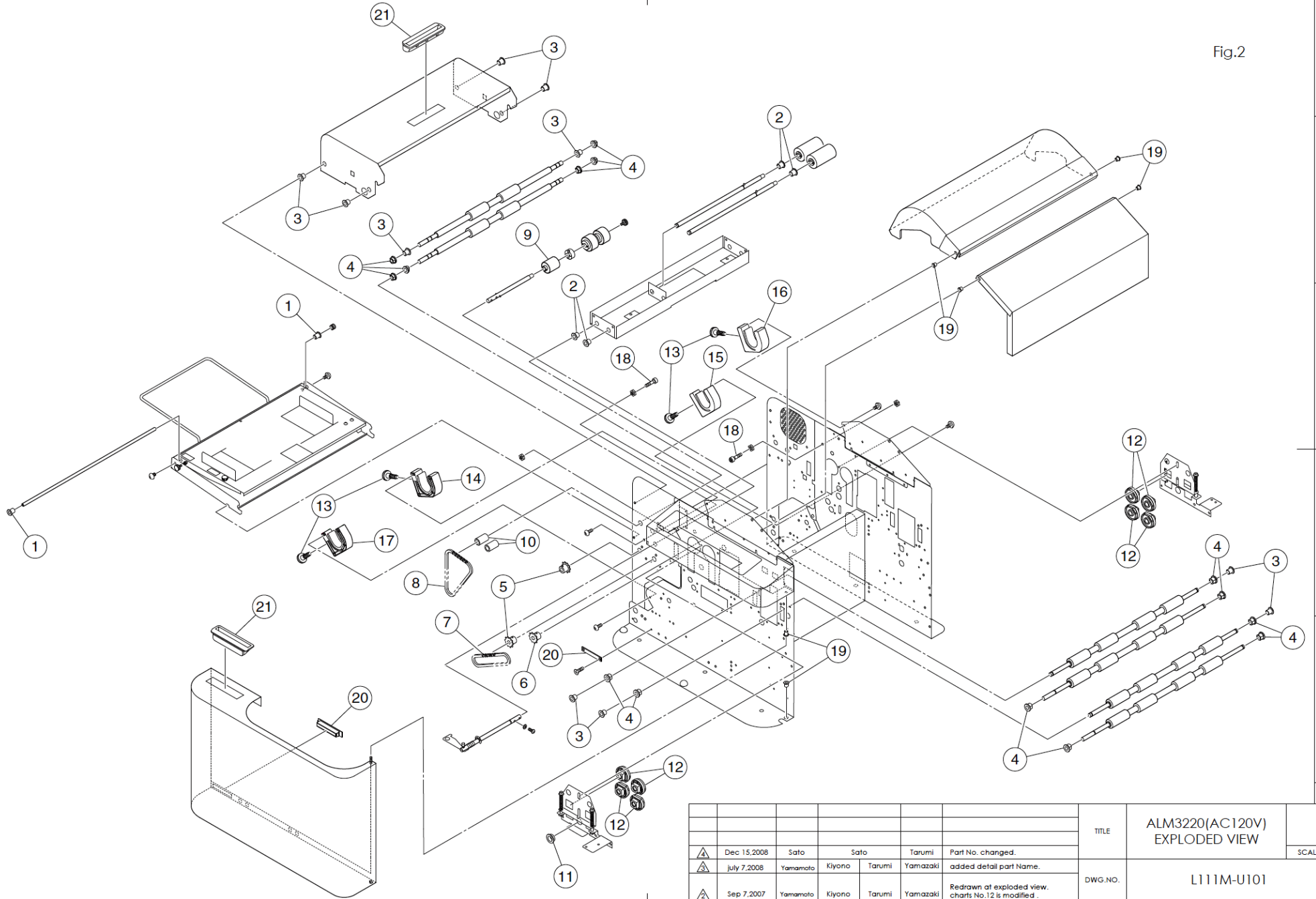
  

TITLE	SCALE
ALM3220(AC120V) EXPLODED VIEW	

DWG.NO.	COMMENTS
L111M-U10	

Fig.2



REV	DATE	DRAWN	CHECKED	ENG APPR	COMMENTS	TITLE	DWG.NO.	SCALE
						ALM3220(AC120V) EXPLODED VIEW	L111M-U101	
▲	Dec 15,2008	Sato	Sato	Tarumi	Part No. changed.			
▲	July 7,2008	Yamamoto	Kiyono	Tarumi	Yamazaki	added detail part Name.		
▲	Sep 7,2007	Yamamoto	Kiyono	Tarumi	Yamazaki	Redrawn at exploded view. charts No.12 is modified.		
	Nov 9,2006	Sato	Kiyono	Tarumi	Yamazaki	New Drawing.		





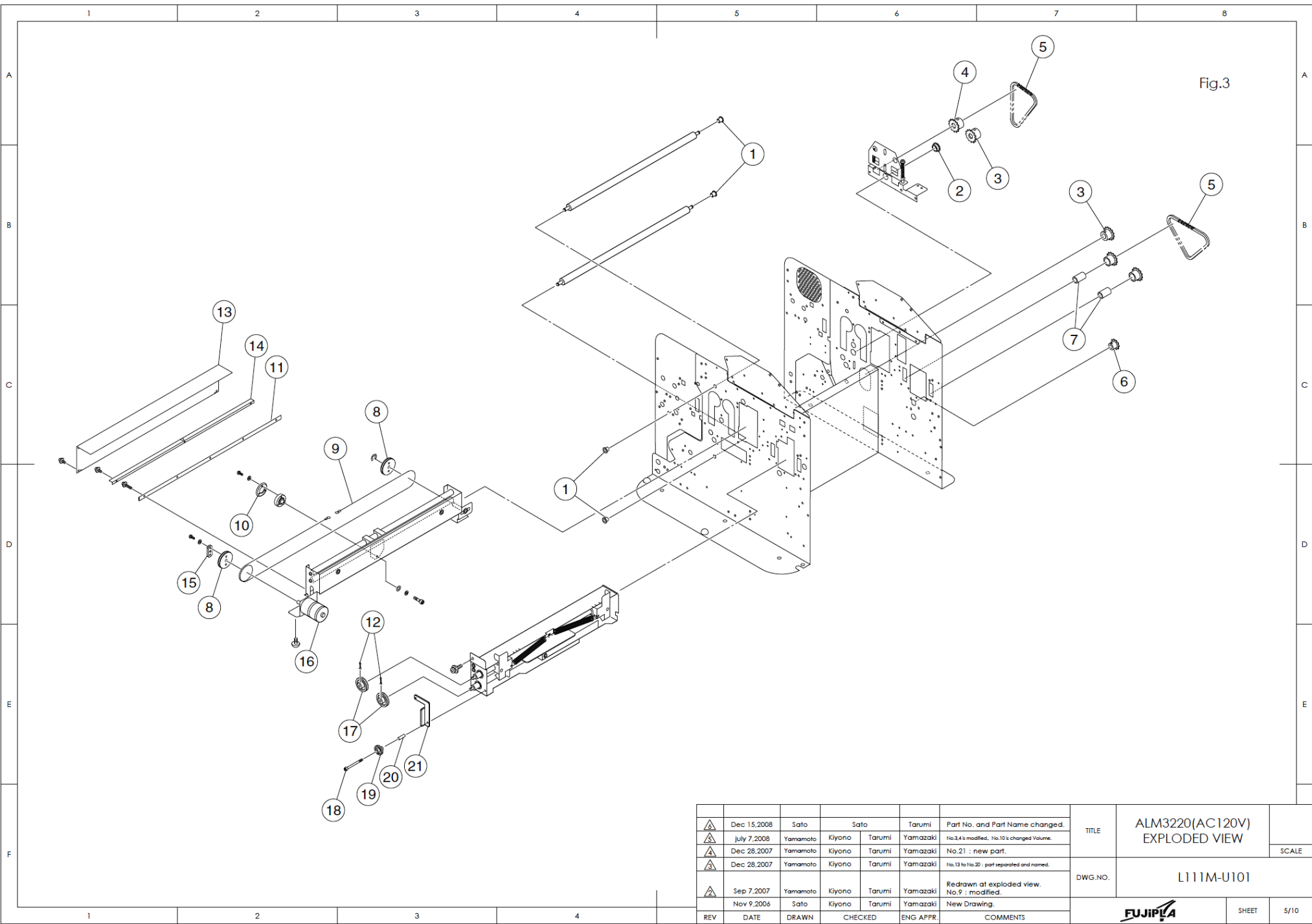


Fig.3

▲	Dec 15,2008	Sato	Sato	Tarumi	Part No. and Part Name changed.
▲	July 7,2008	Yamamoto	Kiyono	Tarumi	Yamazaki No.3.4 is modified. No.10 is changed Volume.
▲	Dec 28,2007	Yamamoto	Kiyono	Tarumi	Yamazaki No.21 : new part.
▲	Dec 28,2007	Yamamoto	Kiyono	Tarumi	Yamazaki No.13 to No.20 : part separated and named.
▲	Sep 7,2007	Yamamoto	Kiyono	Tarumi	Yamazaki Redrawn at exploded view.
▲	Nov 9,2006	Sato	Kiyono	Tarumi	Yamazaki No.9 : modified.
REV	DATE	DRAWN	CHECKED	ENG APPR.	COMMENTS

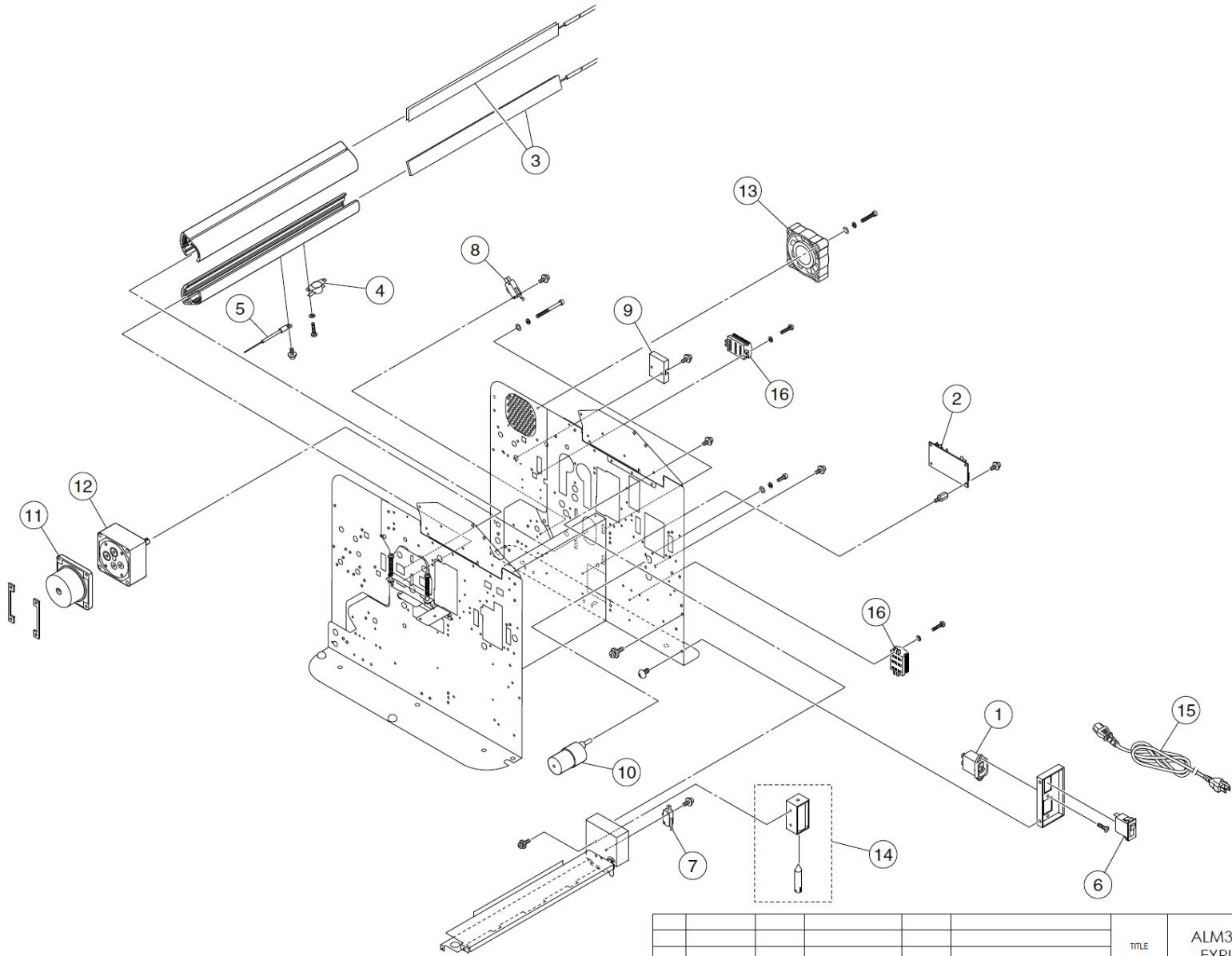
TITLE	ALM3220(AC120V) EXPLODED VIEW	SCALE
DWG. NO.	L111M-U101	
<b>FUJIPA</b>		SHEET 5/10









Fig.5



						TITLE	ALM3220(AC120V) EXPLODED VIEW		SCALE
						DWG.NO.	L111M-U101		
REV	DATE	DRAWN	CHECKED	ENG APPR.	COMMENTS			SHEET	9/10
△	Jan 28,2009	Sato	Sato	Tarumi	Part No. changed.				
△	Sep 7,2007	Yamamoto	Kiyono	Tarumi	Yamazaki			Redrawn at exploded view.	
	Nov 9,2006	Sato	Kiyono	Tarumi	Yamazaki	New Drawing.			

	1	2	3	4
A				
B	ALM3220(AC120V) Fig.5			
	No.	Part No.	Part Name	Q'ty
	1	998920	Power Socket	1
	2	998921	5V Regulator	1
	3	998986	Heater	2
	4	998924	Thermostat	1
	5	998925	Thermistor	1
	6	998930	Power Switch	1
	7	998931	Cover Switch (Trimmer)	1
	8	998932	Cover Switch (Feeder)	1
	9	998935	SSR	1
	10	998936	Feeder Motor & Trimmer Motor	1
③	11	998939	Lamination Motor	1
	12	998938	Lamination Motor Gear Head	1
	13	998940	FAN	1
	14	998942	Flap Solenoid	1
	15	998989	Power Cable	1
	16	998944	Terminal	2
C				
D				
E				
F				

						TITLE	ALM3220(AC120V) EXPLODED VIEW	SCALE
						DWG.NO.	L111M-U101	
△	Jan 28,2009	Sato	Sato	Tarumi	Part No. changed.			
△	Sep 7,2007	Yamamoto	Kiyono	Tarumi	Yamazaki	Redrawn at exploded view.		
	Nov 9,2006	Sato	Kiyono	Tarumi	Yamazaki	New Drawing.		
REV	DATE	DRAWN	CHECKED	ENG APPR.	COMMENTS			SHEET 10/10